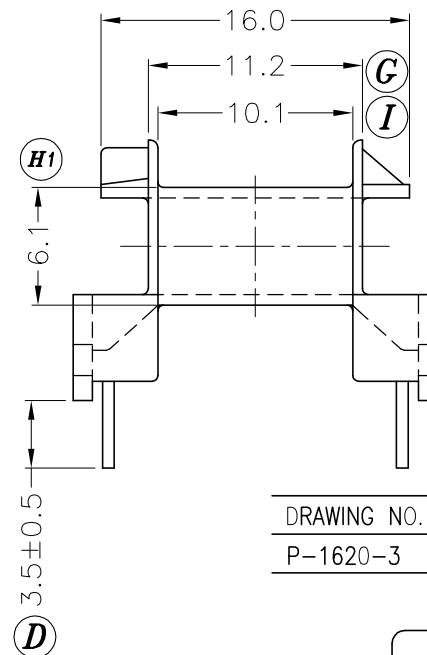
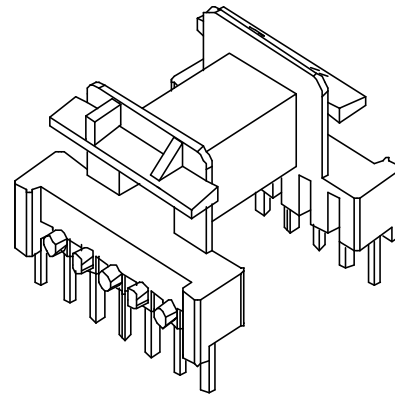
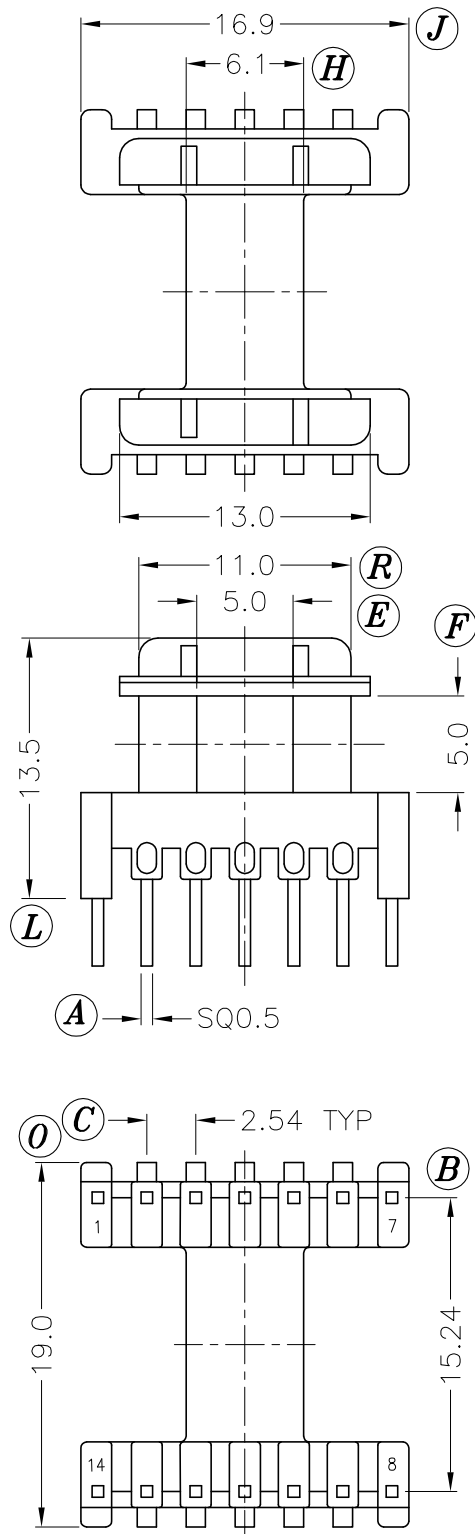


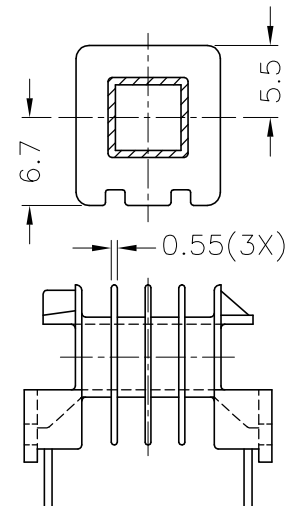
FERYSTER Inductive Components

ul. Traugutta 4 , 68-120 Iłowa Poland

http://www.feryster.com.pl e-mail: info@feryster.com.pl



DRAWING NO.	MATERIAL:	ORIGIN:
P-1620-3	PM9820	DG



DOSTAWCA:	TOLERANCES		ANGLE:	TITLE: EF16-K-H-14P-4S		
	0<L≤4 ±0.1	pin pitch ±0.2	±1°	BOBBIN MATERIAL:		UL REC.
4<L≤16 ±0.2	MM		PHENOLIC PM9820		UL 94V-0	
FERYSTER Inductive Components Tel: +48 68 360 00 76 fax: +48 68 360 00 70	16<L≤63 ±0.3		ORIGIN:	PIN MATERIAL:		PIN TENSION LOAD:
			DG	CP WIRE		1.5 KG MIN
			DATE:	DRAWING NO.	REV.	
			APR.01 '2003	P-1620	2	